

Tablet Wall Mount



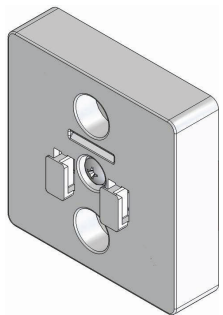
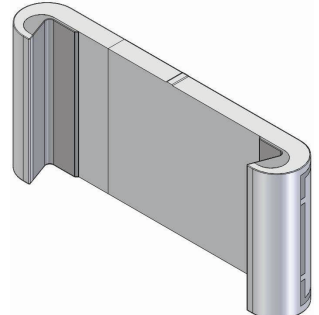
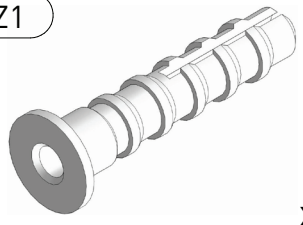
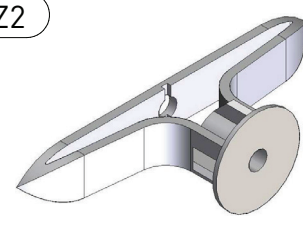
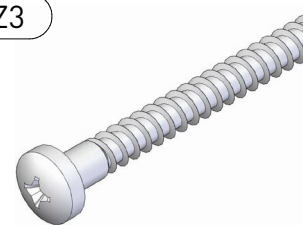
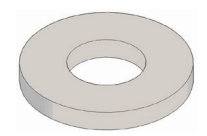
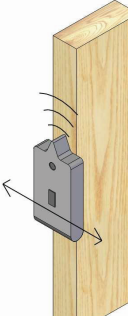
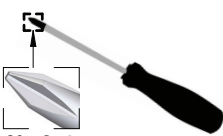



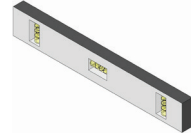


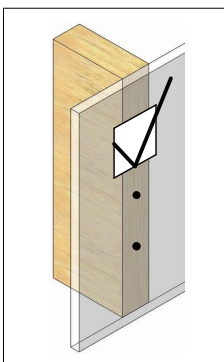
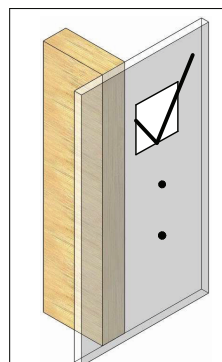
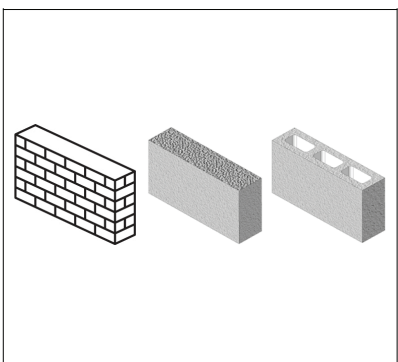
For more information: barkanmounts.com

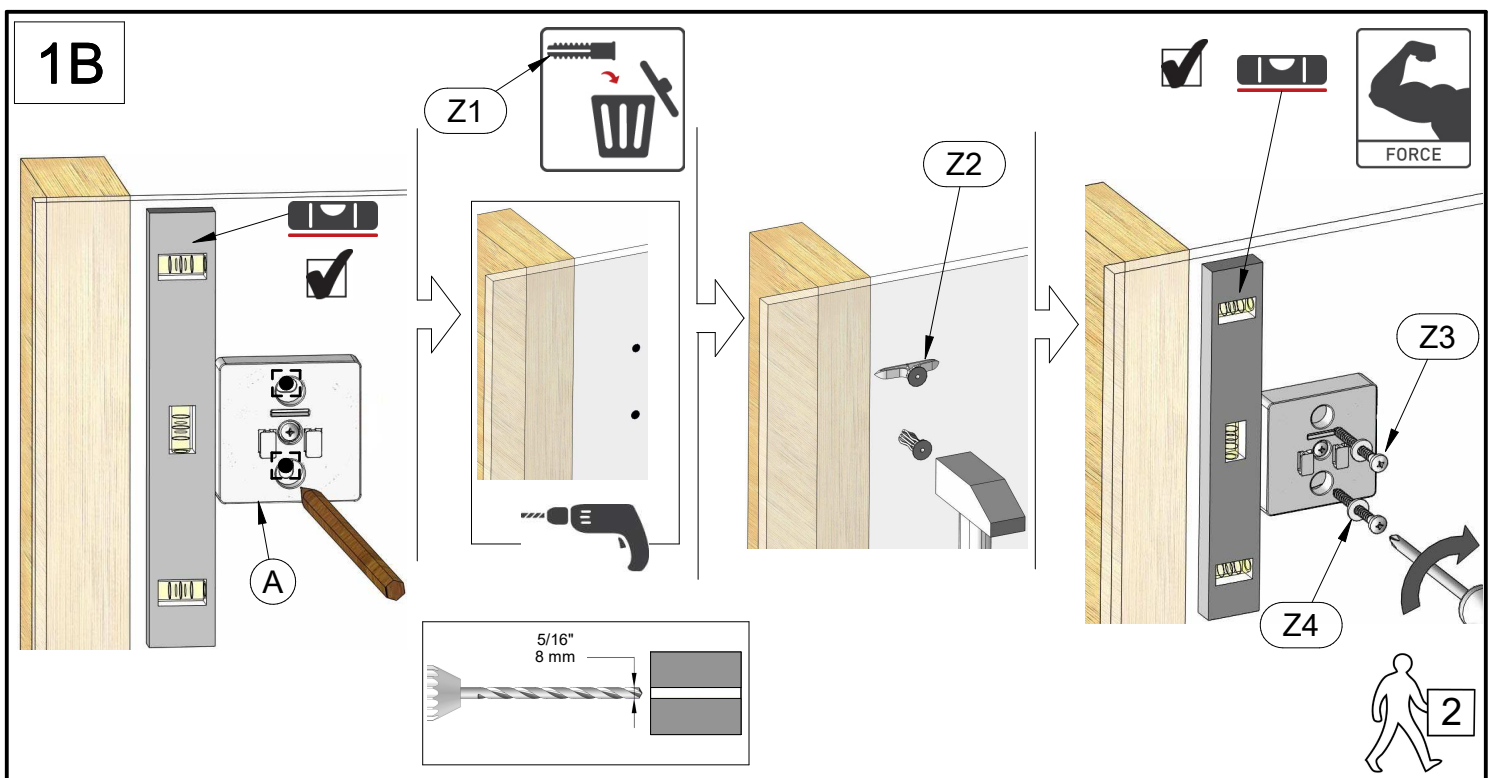
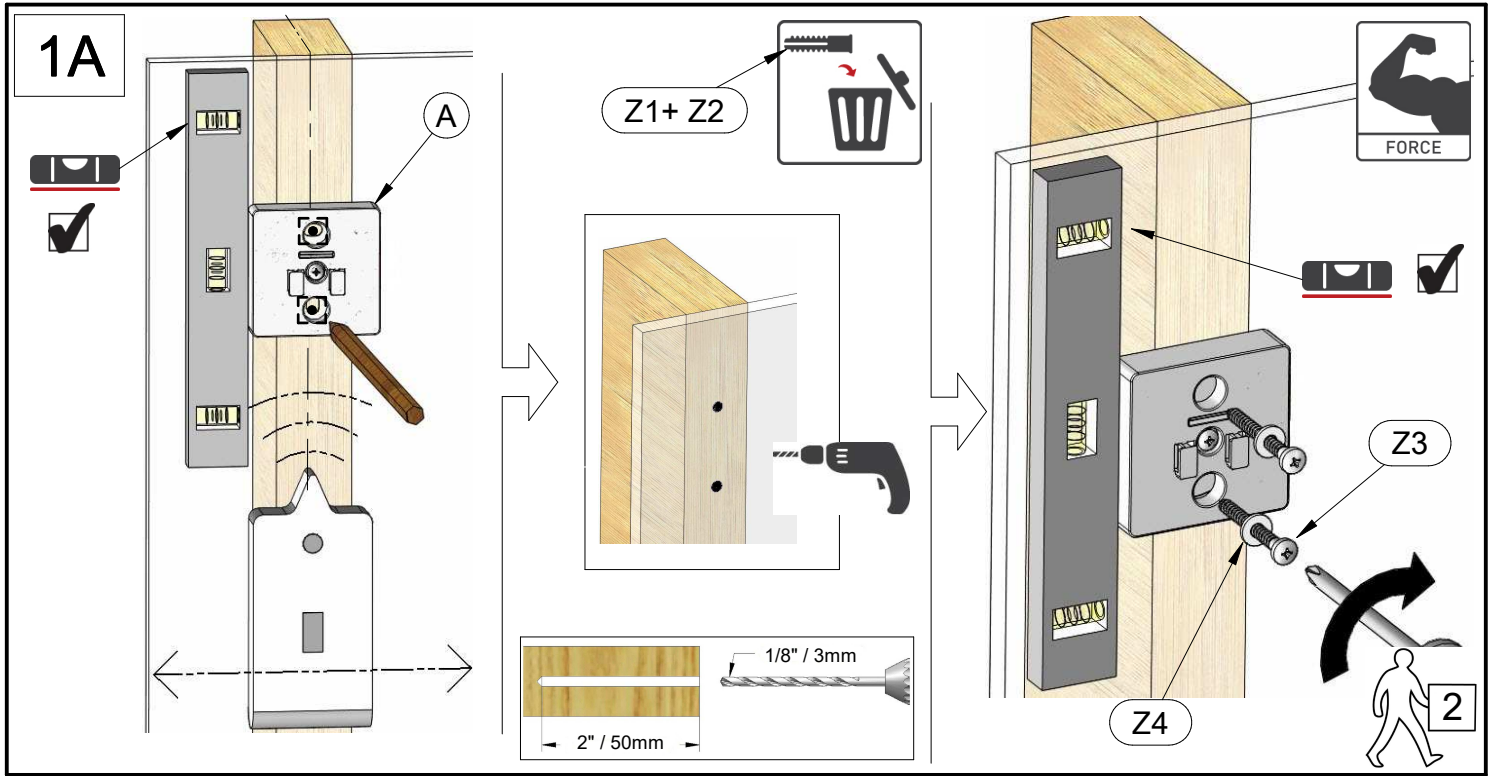
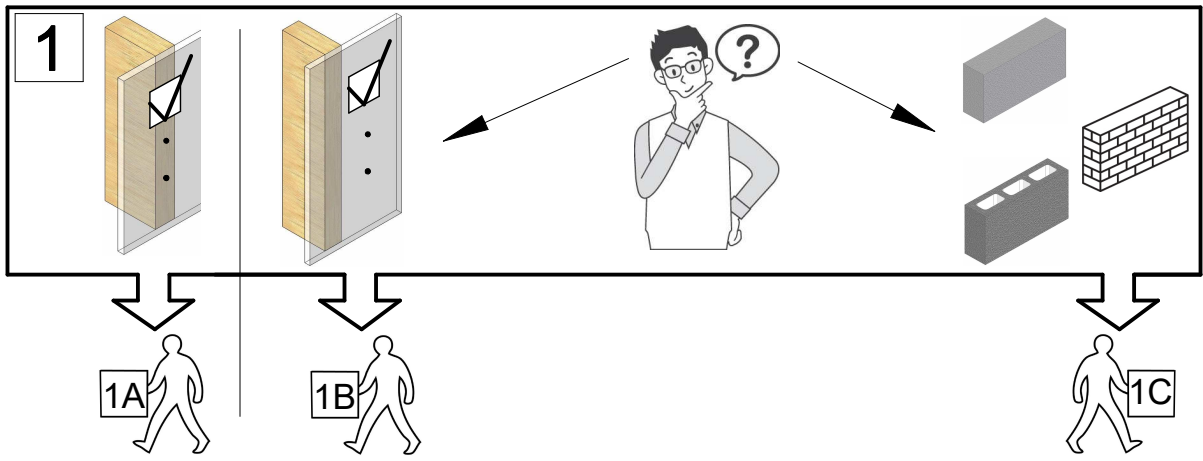
Safety instructions and installation warnings (provided separately)
must be read in full, prior to assembly.

Tablet Size
7" - 12"
17.8cm - 30.5cm

Tablet Weight		
US	 Max	EU
3lbs		1.4kg



<p>(A)</p>  <p>x1</p>	<p>(B)</p>  <p>x1</p>					
<p>(Z1)</p>  <p>x2</p>	<p>(Z2)</p>  <p>x2</p>	<p>(Z3)</p>  <p>x2</p>	<p>(Z4)</p>  <p>x2</p>			
<p>TOOLS REQUIRED</p>						
	 <p>No.2+3</p>					
		 <p>1/8" 3mm</p>	 <p>5/16" 8mm</p>	 <p>5/16" 8mm</p>		



1C

STOP (with crossed-out drill icon)

STOP (with crossed-out drill icon)

DANGER (with lightning bolt icon)

A

5/16" 8mm

Z1

1

2

360

x2

Z3

Z4

FORCE

2

3/8" 10mm

PLASTER COATING

The anchor must be sunk up to 3/8" / 10 mm into the plaster coating

TEST!

2

11lbs / 5kg

Detailed description: This section illustrates the installation of the device. It starts with safety warnings: 'STOP' with a crossed-out drill icon, 'DANGER' with a lightning bolt icon, and a warning triangle. A level is used to ensure the device is mounted straight. A callout 'A' points to the device. A drill is used to create a hole in the wall, with a callout '5/16" 8mm' showing the drill bit size. The next step shows the device being attached to the wall using anchors. A callout 'Z1' points to the anchor being inserted into a hole. A detailed view shows the anchor being pushed into a 'PLASTER COATING' by '3/8" 10mm'. A warning triangle indicates that the anchor must be sunk up to 3/8" / 10 mm into the plaster coating. The device is then secured with screws. A callout '1' shows a screw being inserted into the device. A callout '2' shows a screw being inserted into the wall. A callout '360' and 'x2' indicate that two screws should be inserted at a 360-degree angle. A callout 'Z3' and 'Z4' point to the screws being inserted into the device. A callout 'FORCE' with a muscle icon indicates that force should be applied to the device. A callout '2' with a person icon indicates that the device should be tested by pulling on it.

2

TEST!

11lbs / 5kg

Detailed description: This section illustrates the testing of the device. A callout '2' is in the top left corner. A callout 'TEST!' is in the top right corner. A hand is shown pulling on the device. A large downward arrow indicates the direction of the test. Below the arrow, two diagrams show the correct and incorrect way to pull on the device. The left diagram shows a hand pulling on the device at an angle, with a green checkmark and a red arrow pointing down. The right diagram shows a hand pulling on the device straight down, with a red X and a red arrow pointing down. Below the diagrams, the weight '11lbs / 5kg' is indicated.

